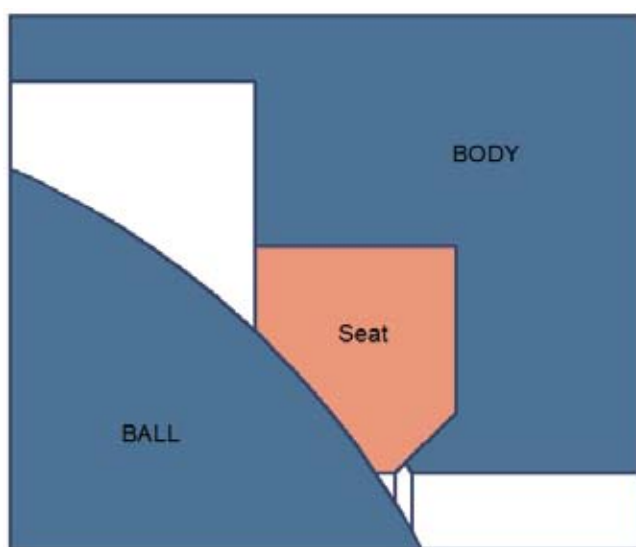


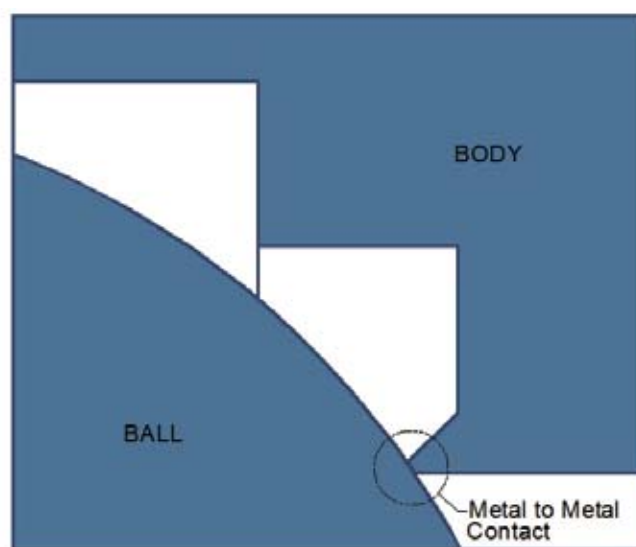


Quickflo

Body Type	: Two / Three Piece Design
Body Material	: All Castable Alloy Material
End Connection	: Flanged / Socket / Buttweld
Bonnet	: Standard / Extended / Cryogenic
Gland Packing	: PTFE, Braided PTFE, Grafoil, Vacuum
Gasket	: PTFE, Spiral Grafoil, Glass Filled SS
Seat Ring	: Clamped-in self aligned Bu-directional Fleet-loc seal
Ball	: Full & Reduced bore ball, S.S. 304 / 316 / 304L / 316L / HastelloyC
Shaft	: Splined- No lost motion or dead band Stainless Steel / 17-4PH
Characteristics	: On-Off / approximate throttling with Positioner
Actuator	: Spring Cylinder Rotary, Fully field reversible
Air Pressure	: 2.0 to 10.0 Bar
Shut off class	: ANSI VI with Teflon Seat



Before Fire



After Fire

Quickflo

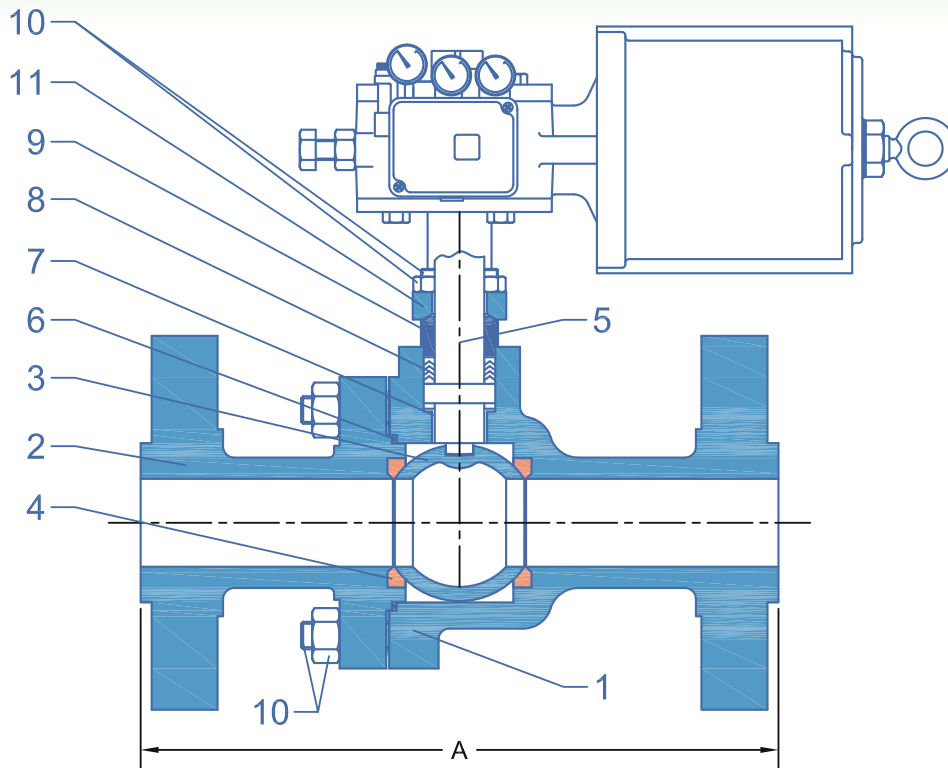


Fig. 1

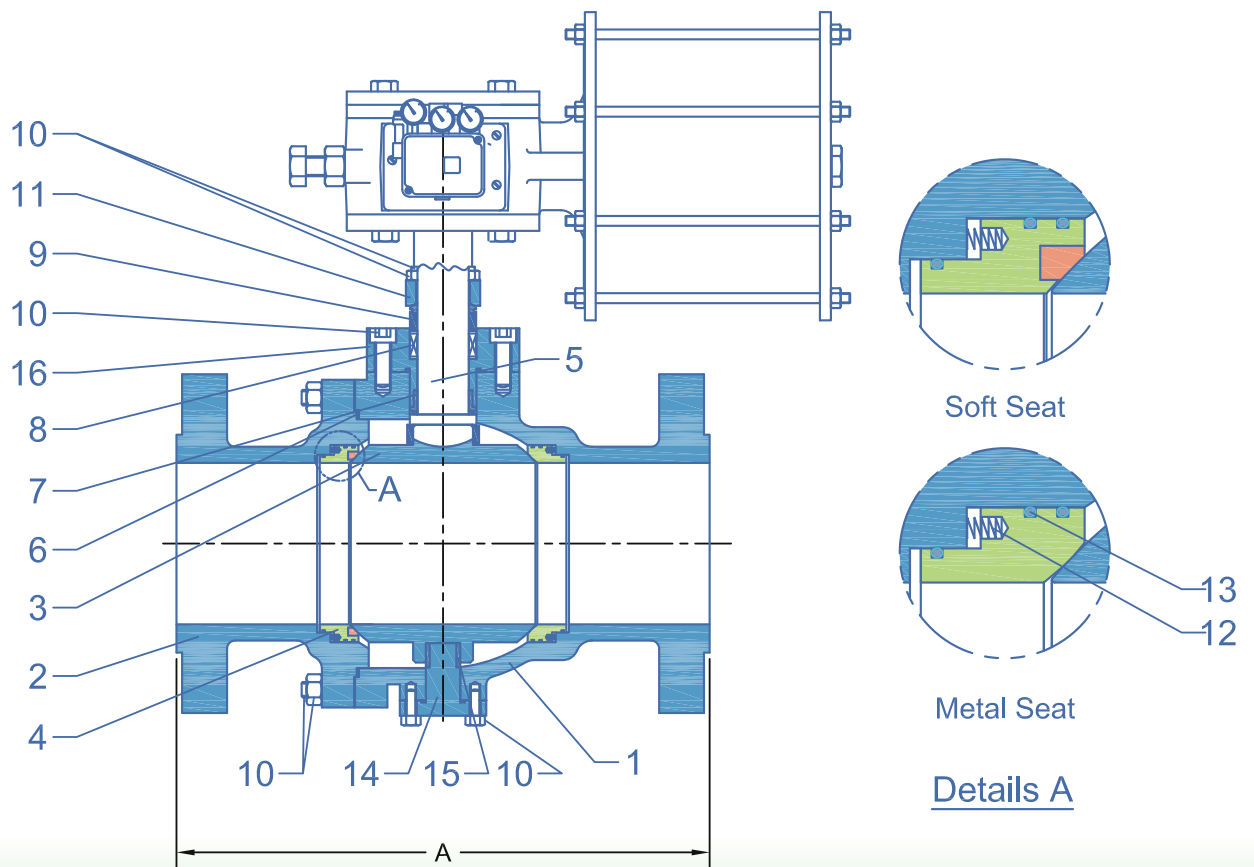


Fig. 2

Fig. 1 - up to 6"
 Fig. 2 - 8" and above

Quickflo

Nos.	Part Name	Material
1	BODY	316 Stainless Steel, Carbon Steel
2	END PIECE	316 Stainless Steel, Carbon Steel
3	BALL	316 Stainless Steel
4	SEAT	Glass Filled Teflon, Teflon
5	STEM / SHAFT	17-4PH, 316 Stainless Steel
6	BODY GASKET	PTFE
7	BEARING	Glass Filled Teflon, Teflon
8	GLAND PACKING	Teflon V-ring, Teflon / Glass filled V-ring, Graphoil, Non-asbestos braided
9	GLAND BUSH	Stainless Steel
10	STUD & NUT	ASTM A 193 GR. B7 / A194 GR. 2H, ASTM A 193 GR. B8 / A 194 GR. 8
11	GLAND FLANGE	Stainless Steel
12	SPRING	Spring Steel
13	O-ring	Nitrile , EPDM , Viton
14	TRUNION	316 Stainless Steel, Carbon Steel
15	TRUNION BEARING	Glass Filled Teflon, Teflon , Bronze
16	BONNET(HOUSING)	316 Stainless Steel, Carbon Stee

Cv - Flow Coefficient Data

Size	Rating	Cv
1	150-600	73
1.5		185
2		289
3		74
4		1156
6	150-300	2601
8		4624
10		7225
12		10404
14	150	14161
16		18496

*For Higher Sizes, Contact Factory.

Size(NB)	15	20	25	32	40	50	65	80	100	150	200	250	300	350	400	450	500	600	
A	150#	108	117	127	140	165	178	190	203	229	267	292	330	610	686	762	864	914	1067
	300#	140	152	165	178	190	216	241	282	305	403	419	457	648	762	838	914	991	1143
	600#	165	190	216	229	241	292	330	356	432	559	660	787	838	889	991	1092	1194	1397
	900#	--	--	254	279	305	368	419	381	457	610	737	838	965	1029	1130	1219	1321	1549
	1500#	--	--	254	279	305	368	419	470	546	705	832	991	1130	1257	1384	--	--	--
	2500#	--	--	--	--	--	451	508	578	673	914	1022	1270	1422	--	--	--	--	--



MASCOT VALVES PVT. LTD.

166 / 167, G I D C, Naroda, Ahmedabad : 382330. India
 Phone : +91 79 22821619/22823369, Fax : +91 79 22822430
 Email : info@mascotvalves.com / web : www.mascotvalves.com